

LED BULB GEN III

A better choice to color your home



NEW LED Bulb GEN 3, featured with fascinating ID design replicating incandescent bulb, will deliver an extremely cozy and refreshing lighting experience at your home in a green way. Thanks to the leading LED technology, LED bulb GEN 3 can save up to approximately 80% electricity compared with conventional incandescent lamp with just an easy step of retrofit. It will definitely be your ideal energy-saving lighting option for your household.

Application

- household
- hotel
- restaurant
- retail shop



imagination at work

Specification Features



Energy saving

- Deliver nearly same light output as incandescent 40/60/75/100 watt incandescent
- Standard E27 base, trouble free to retrofit
- 80% energy saving compared with GE incandescent

Environment friendly

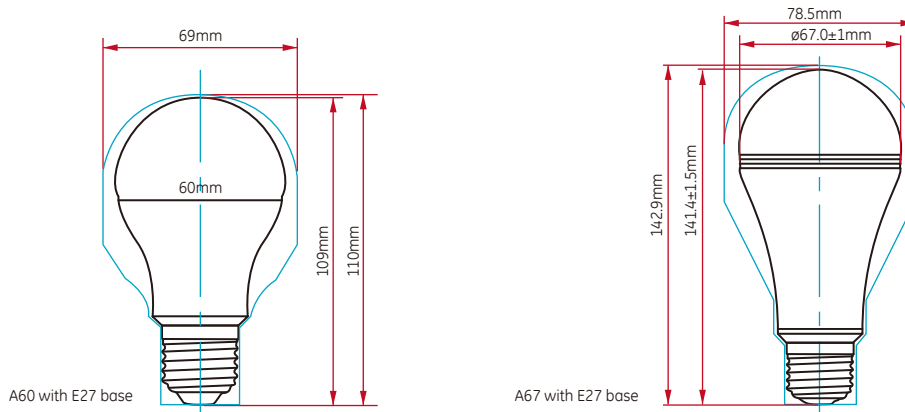
- No Mercury
- UV/IR Free
- Less electricity consumption of air-conditioning

Long Lifetime

- 15 years life time*
- Minimum maintenance cost

*Estimate as per 2.5hrs usage in household application

Dimensions



Ordering Description



New SKU code	Description	Initial (lm)	Efficacy (lm/w)	Watt (W)	Rated Life	Color appearance	CCT	Bulb Base	Equivalent Wattage	Rated Voltage (V)	Rated Frequency (Hz)	Family	Overall Lamp Length(mm)	Overall Lamp Diameter(mm)	Energy Saving (%)
70638	LED7/A60/830/100-240V/E27	470	67	7	25000hrs	Warm White	3000	E27	40	100~240	50/60Hz	A19	110	69	80
70640	LED7/A60/865/100-240V/E27	500	71	7	25000hrs	Day Light	6500	E27	40	100~240	50/60Hz	A19	110	69	80
70642	LED10/A60/830/100-240V/E27	810	80	10	25000hrs	Warm White	3000	E27	60	100~240	50/60Hz	A19	110	69	80
70643	LED10/A60/865/100-240V/E27	850	85	10	25000hrs	Day Light	6500	E27	60	100~240	50/60Hz	A19	110	69	80
70644	LED13/A67/830/100-240V/E27	1060	79	13	25000hrs	Warm White	3000	E27	75	100~240	50/60Hz	A19	143	78.5	80
70646	LED13/A67/865/100-240V/E27	1150	82	13	25000hrs	Day Light	6500	E27	75	100~240	50/60Hz	A19	143	78.5	80
70647	LED16/A67/830/100-240V/E27	1350	88	16	25000hrs	Warm White	3000	E27	100	100~240	50/60Hz	A19	143	78.5	80
70655	LED16/A67/865/100-240V/E27	1500	94	16	25000hrs	Day Light	6500	E27	100	100~240	50/60Hz	A19	143	78.5	80



Any update of data in this leaflet will not be informed. Please contact GE Lighting for detailed information.

GE Lighting Co., Ltd.
 7F, Building 1, No.1 Hua Tuo Rd.
 Zhang Jiang Hi-Tech Park Pudong,
 Shanghai 201203
 T: +86 21 3877 1888
 F: +86 21 3877 7437
 +86 21 3877 7459
 www.gelighting.com
 Printing Code:L-LEDI-13-EN-2014Q2