

# Specification

Item Name: 8mm 60LEDs/M SMD2835 Economics LED Strips

Item No.: BS-FL0806-W-4.8W

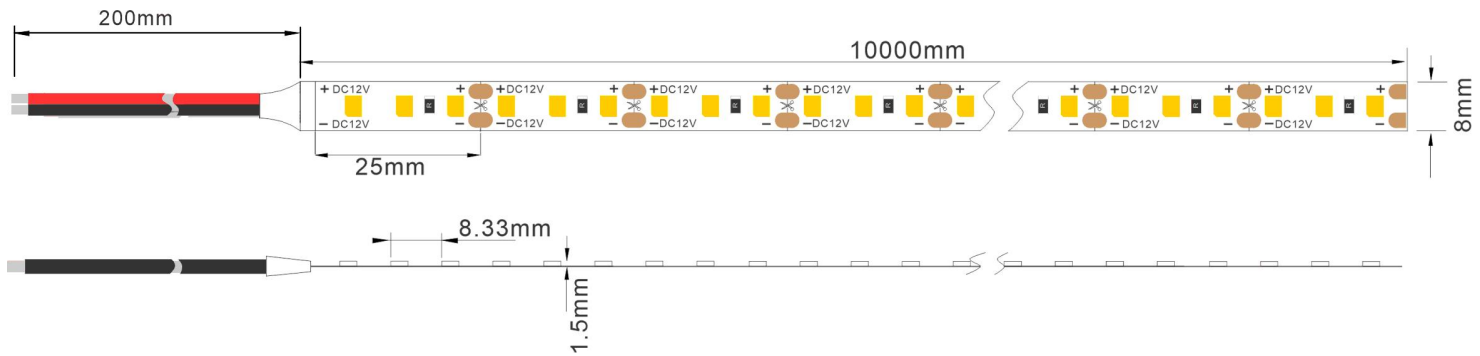
formulate	verify	approve



## Item No.:

◎ BS-FL0806-W-4.8W, 8mm 60LEDs SMD2835 White Non-waterproof constant voltage 12VDC Economic Flexible LED Strips

## Picture:

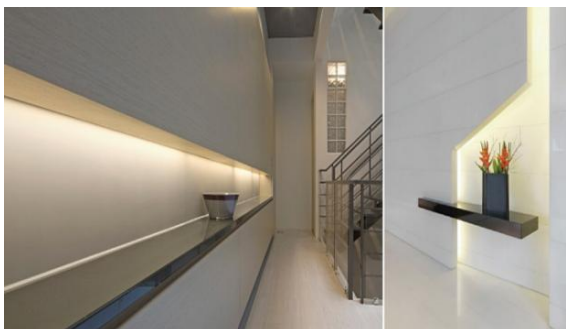
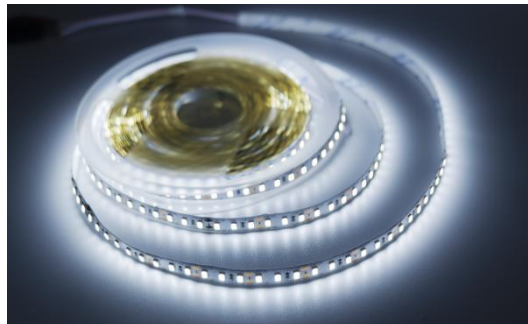


## Features:

- ◎ Adopt good SMD2835LED, high reliability;
- ◎ Fixed with heat-conducting adhesive with strong adhesion
- ◎ High cost performance, good color consistency;
- ◎ CE、ROHS approved

## Application:

- ◎ Suitable building lighting, shopping mall, hotel, office auxiliary lighting, landscape lighting etc



Parameters :

Item No.,	LED Color	CCT(K) Wavelength (nm)	CRI Ra	Color tolerance SDCM	Beam Angle (°)	Luminous Flux (lm/m)	Lighting effect (lm/W)	Voltage (VDC)	Current (mA/m)	Power (W/m)
BS-FL0806-W-4 .8W	White	3000	≥80	≤5	120	480	90	12	833	4.8
		4000				480	100	12	833	4.8
		6000				480	95	12	833	4.8
		10000				480	93	12	833	4.8
	R	620-630	/	/	120	480	18	12	833	4.8
	G	525-530	/	/		480	55	12	833	4.8
	B	465-470	/	/		480	10	12	833	4.8
	Y	485-495	/	/		480	15	12	833	4.8

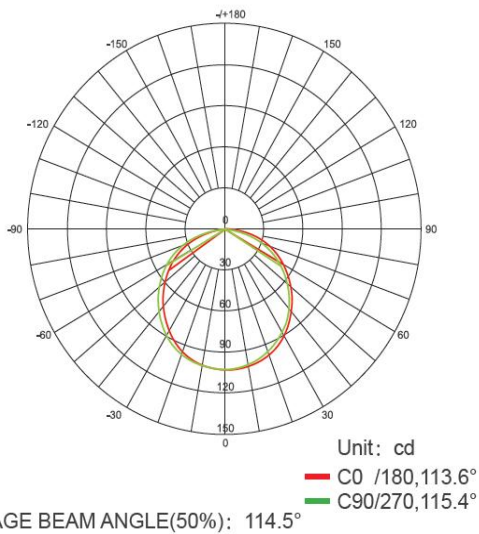
Remark:

- (1) Test environment temperature is 25±2°C (normal temperature); The above color temperature and wavelength are LED's color temperature and wavelength
- (2) The above data is typical, the actual parameters of the product may differ from the typical data; the data is subject to change without notice;
- (3) The above "-" indicates that the parameters of this product are not required at the moment;

Other parameters :

Item No.,	IP Rate	Working temperature (°C)	Storage temperature (°C)	LED Qty (LED/m)	Weight (g/m)	Min cuttable(mm)
BS-FL0806-W-4.8W	IP20	-25~+50	-25~+60	60	11	25

### Light distribution curve / isolux diagram:



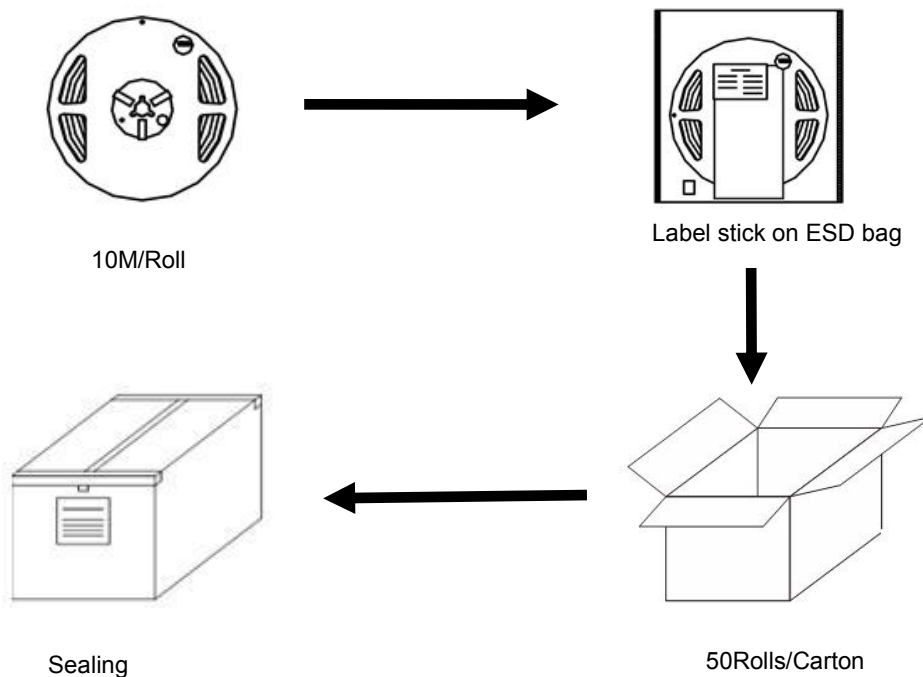
1m	30.67,99.72lx	296.42cm
2m	7.667,24.93lx	592.84cm
3m	3.407,11.08lx	889.27cm
4m	1.917,6.232lx	1185.69cm
5m	1.227,3.989lx	1482.11cm
6m	0.8518,2.770lx	1778.53cm
7m	0.6258,2.035lx	2074.95cm
8m	0.4792,1.558lx	2371.38cm
9m	0.3786,1.231lx	2667.80cm
10m	0.3067,0.997lx	2964.22cm

### Packaging:

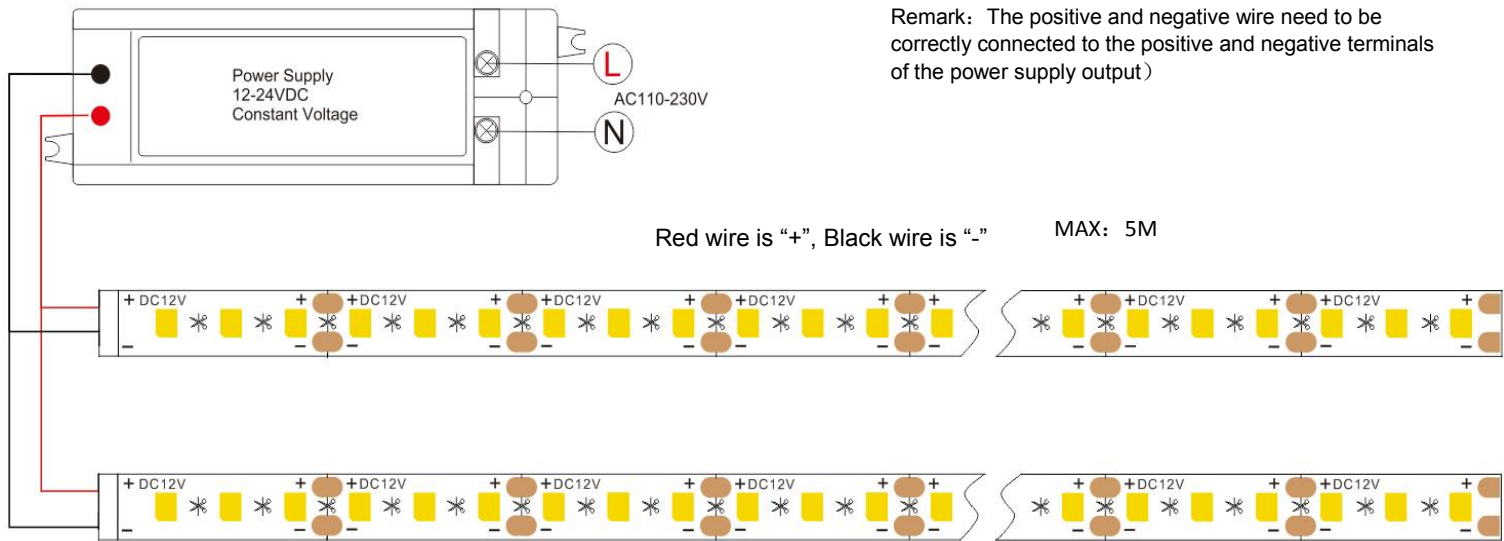
Item No.,	Qty per Rolls (m)	Qty per carton(m)	Total weight (Kg)	Dimension of outer carton (mm)		
				Length	Width	Height
BS-FL0806-W-4.8W	10	500	7.5	520	300	220

Remark: The above packing quantity and weight only refer to the packing method as shown in the diagram. When other packing methods are adopted, there will be differences in packing quantity and weight. Please subject to the actual product.

### Packaging drawing:

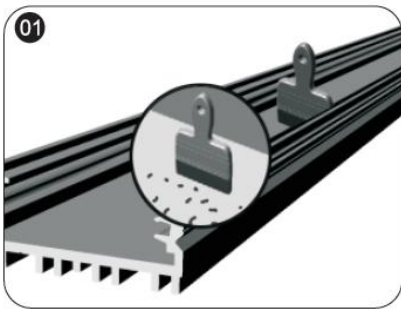


### Installation:

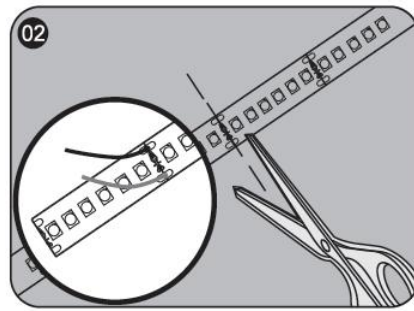


Remark: The positive and negative wire need to be correctly connected to the positive and negative terminals of the power supply output)

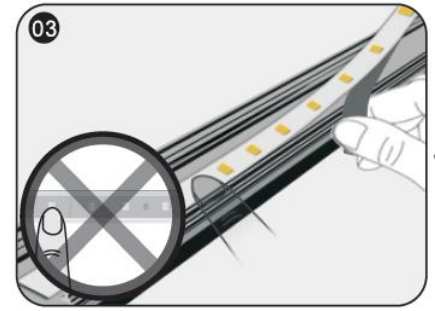
### Installation step instructions:



- Clean up debris on the mounting surface to ensure surface cleaning



- Measure the length of the strip to be installed, and cut the extra LED strip along the scissors marking line. If you need to increase the connecting wire, please weld it at the next scissors mark at the cut.

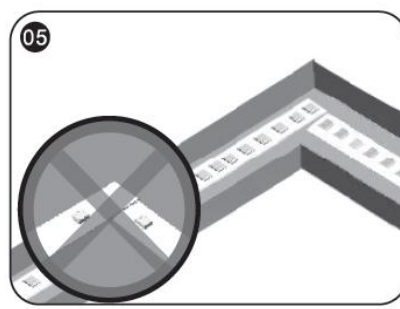


- When attaching the led strip, be careful to peel while sticking. It is strictly forbidden to tear off all the release paper at once to prevent the led strip from sticking to each other.

△ Note: Do not press the LED!



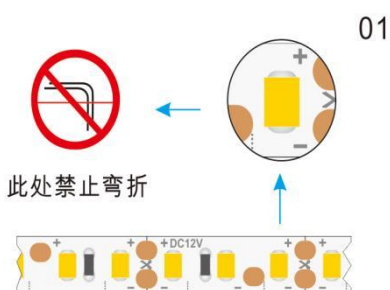
- The position of the led where scissors are in contact with the bottom of the section need to isolate with sticker tape, so as to avoid short circuit.



- The light strip at the corner is installed as shown above
- △ Note: Do not fold into a right angle  
Direct bending on the surface of the profile is strictly prohibited



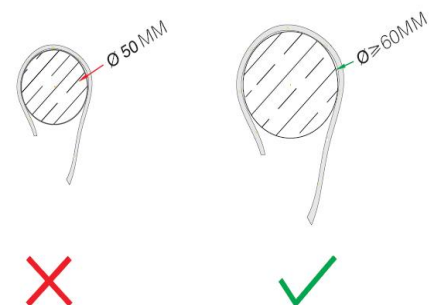
- After the strip is installed, it is connected to the power output. Insulation, short - circuit protection and corrosion protection should be done at the terminals



- Don't bend the LED position



- Don't twist the led strips



- Don't wrap objects less than 5cm in diameter

## Common faults of products and troubleshooting methods:

Fault phenomenon	potential causes	Solution
All LEDs are off	1、 The power is off.	power transmission
	2、 Automatic protection of the power supply after the output of the switching power supply is open or shorted.	trouble shooting and recovering the power supply
	3、 LED Strips with power supply terminal polarity reverse	Check the wire connection to ensure correct connection of positive and negative wire
Some of the LEDs are off	1、 Part of the switching power supply is not powered	Check the power supply system and troubleshoot
	2、 Part of the electricity supply line error	
	3、 Partial led strips with reverse polarity connection	Correct connection
LED brightness is not the same or the brightness is not enough	1、 Power overload	Replace the power supply with a larger power according to the load
	2、 Switching power supply line or circuit loss is too large	Ensure that the operating voltage of the led strips is within $\pm 5\%$ of the rated voltage 1. Cut the length of the wire between the strip and the power cord or use wires with larger diameter; 2. Ensure that the number of each led strip is less than or equal to the maximum allowable cascade ;And make each strip with a similar connection.
	3、 Over connection of LED Strips	Adjust the number of strips for each power supply and to meet the maximum connection requirements for each power supply.
LED flashing	1、 Poor contact at the wiring point	Find out the bad points and troubleshoot.
	2、 Switching power supply failure	Replace the switching power supply

## SHENZHEN YESUN LED LTD

Address: 3/F, Blog A3, Langxin industrial park, Shiyan Street, Bao'an dist., Shenzhen, Guangdong, China

Tel: 86-755-29049310

Email: [info@yesun-led.com](mailto:info@yesun-led.com)

Web: [www.yesun-led.com](http://www.yesun-led.com)