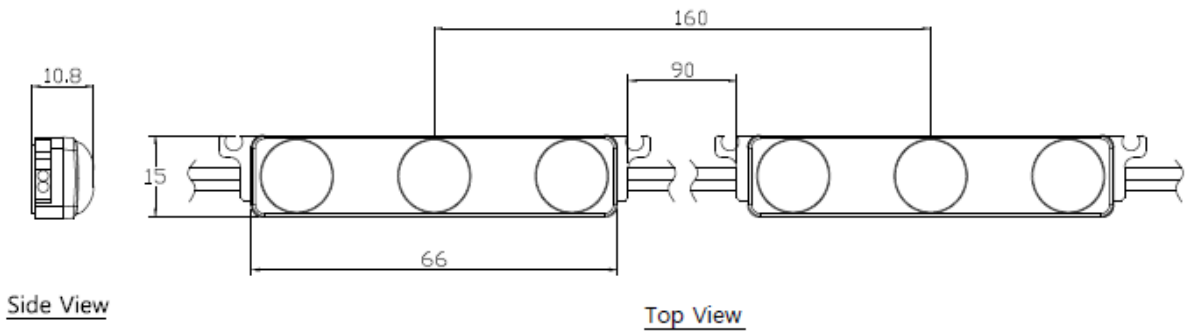




# LENS TYPE MODULE

## 3 DIFFUSION LENS SERIES



 BOX&LETTER	 IP 68 WATERPROOF	 ANGLE 165 DEGREE	 LONG LIFE SPAN 50,000 HOURS	 BRIGHTNESS 120 LUMENS	 CONSUMPTION 1.2 WATT	 DC12V
----------------	-------------------------	----------------------------	---------------------------------------	---------------------------------	--------------------------------	-----------





# ANX LED MODULES

## ANX 3 Diffusion Lens Series

### 1. GENERAL DESCRIPTION

ANX LED Modules designed by ANYLUX CO., LTD has design patent for all design concept. ANX LED Modules are consisting of ANX 3 Diffusion Lens Series.

ANX 3 Series is very technically designed to have the brightest output when turning on. Engineer from ANYLUX CO., LTD considered about durability, brightness, stability, various application and etc.

With Diffusion cover lens make viewing angle be bigger from 120° to 160° and It lead to be applied on the narrow light box than LED Module without Lens.

### 2. FEATURE

- SMD LED Mounted, CE Approved.
- Technical Size & Compact Design
- Safe & Stable Operation with DC12V (Constant-voltage)
- Water –Proof (IP68)
- Wide Viewing Angle
- Installation with Tape & Screw with 3mm Bolts

### 3. APPLICATION

- Back Lighting for Signage & Channel Letter
- Outdoor Lighting for Advertising
- Decorative Lighting
- Architectural Lighting; Shelf Lighting, Garden, Building and others

### 4. GENERAL SPECIFICATION


Color	White, Warm-White, Red, Green, Blue, Yellow, RGB		
Operating Supply	DC12V	Water Proof Level	IP68
Viewing Angle (°)	165°	Operating Temp	-30° ~ 70°
Dimension (W*D*H)	66*15*10.8	Storage Temp	-40 °~ 75°
Case Material	ABS	Weight	11g
Module Connection	Wire (90mm)	Wire Type	COPPER USA-UL



### 5. DATA SHEET FOR ANX 3 SERIES

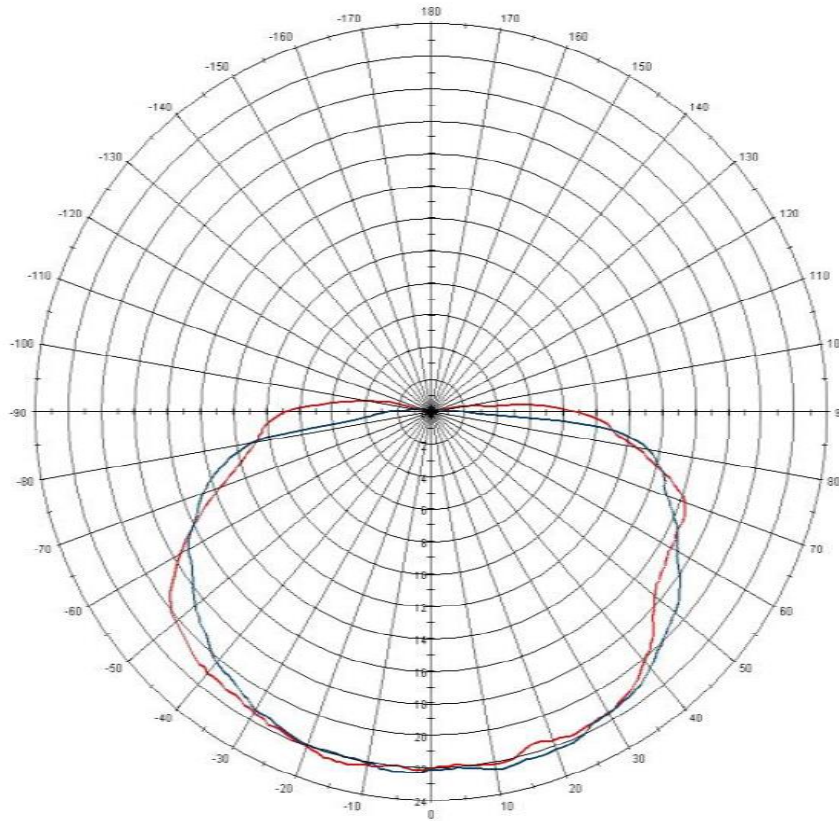
<b>Model</b>	<b>ANX3SDW3 -2835 / ANX3SDWW3-2835</b>
<b>Picture</b>	
<b>Color</b>	<b>White/ Warm White</b>
<b>Power Dissipation</b>	1.2W
<b>Current Dissipation</b>	100mA
<b>Luminous Intensity</b>	18,900mcd
<b>Luminous Flux</b>	120lm
<b>Color Temp' (K/nm)</b>	3000K /4000K/5000K/ 6500K/ 9000-12000K/

<b>Model</b>	<b>ANX3SDR3 -2835 / ANX3SDG3-2835 / ANX3SDB3-2835 / ANX3SDY3-2835</b>
<b>Picture</b>	
<b>Color</b>	<b>White LED + Cover Lens – Red Green Blue Yellow</b>
<b>Power Dissipation</b>	1.2W
<b>Current Dissipation</b>	100mA
<b>Luminous Intensity</b>	18,900mcd
<b>Luminous Flux</b>	120lm

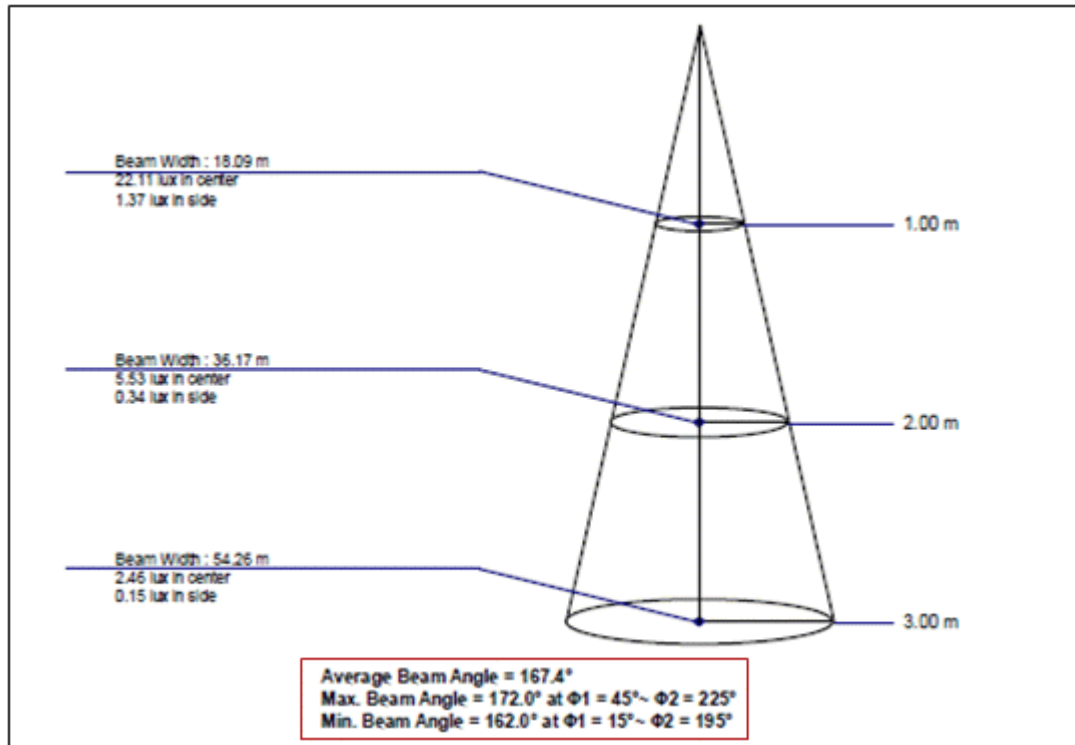
<b>Model</b>	<b>ANX3HDW3 -2835 / ANX3HDWW3-2835</b>
<b>Picture</b>	
<b>Color</b>	<b>White/ Warm White</b>
<b>Power Dissipation</b>	1.2W / 0.72W
<b>Current Dissipation</b>	98mA / 60mA
<b>Luminous Intensity</b>	26,800mcd / 21,600mcd
<b>Luminous Flux</b>	100 lm / 72lm
<b>Color Temp' (K/nm)</b>	9000-11000K/



## 6. LIGHT DISTRIBUTION DIAGRAM



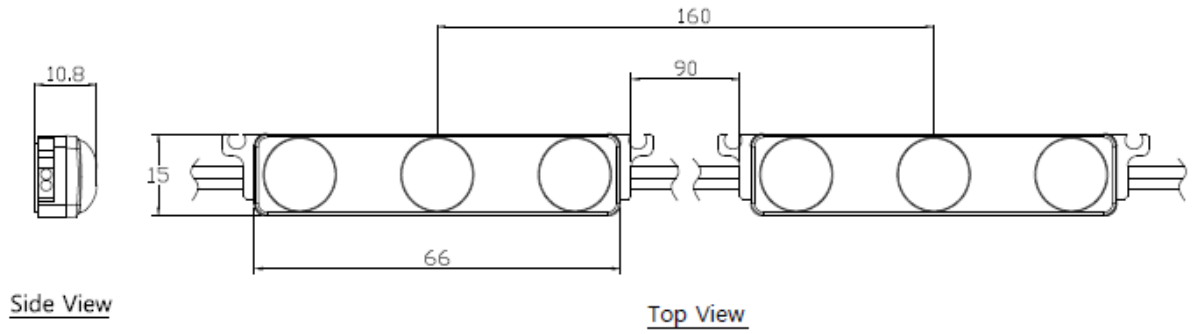
## 7. MEASUREMENT OF ILLUMINATION



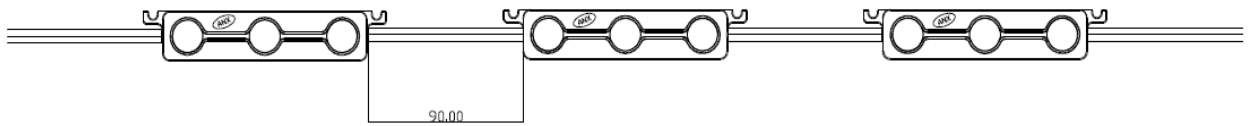


## 8. DIMENSION

66 mm\*15 mm\*10.8 mm (L\*W\*H)

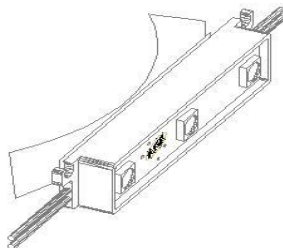


50pcs per a bundle of module =7.8M

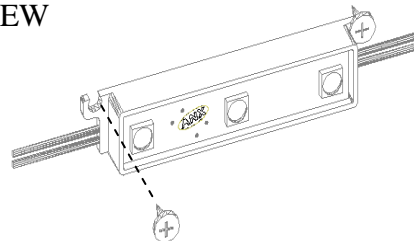


## 9. INSTALLATION

TAPE



SCREW



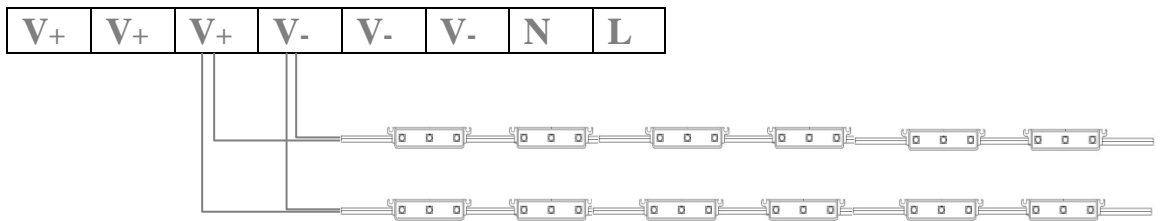


## 10.CONNECTION GUIDE WITH SMPS

📖 ANX LED Modules has **Non-Polar (+/-)** :

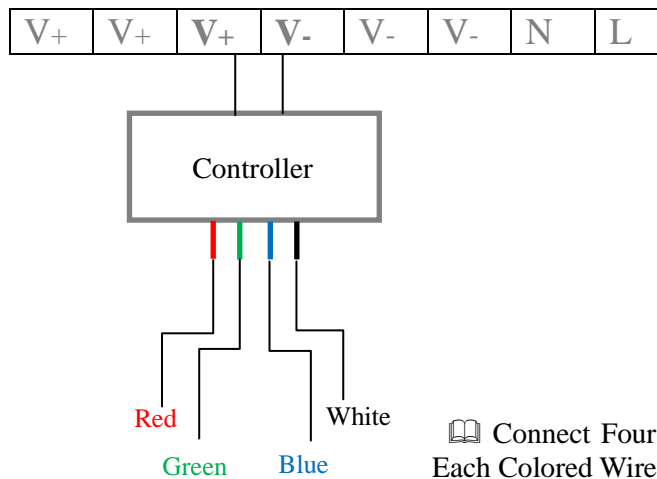
: White, Warm-White Red, Green, Blue, Amber

Eg) Connection of ANX3 Series LED Modules



📖 ANX RGB (Full Color) LED Modules has **(+/-)**

Eg) Connection of **ANX3 RGB (Full Color)** LED Modules with RGB Controller

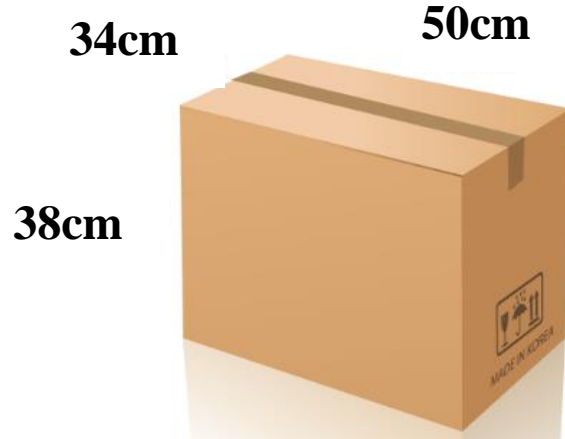


📖 Connect Four Colored Wires from Controller with Each Colored Wires of ANX3PC (RGB) LED Modules



## 11.PACKING

📖 Carton Box Size = W\*D\*H= 33\*50\*39 (11~12 KG based on 1,000pcs)



📖 Inside box: 100pcs (Max 150pcs)

📖 Carton Box: 1,000pcs (Max 1,500pcs, 16~17 KG)



**=(100pcs/ 1 Pack) \* 10**

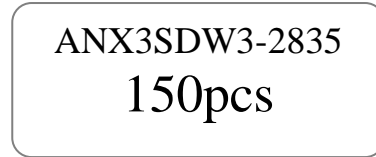
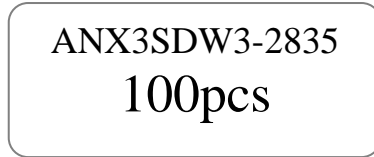




## 12.LABEL

 Label for Inside Box

Eg)



 Label for Carton Box

Eg)

<b>ITEM</b>	<b>LED MODULES</b>
<b>MODEL</b>	<b>ANX3SDW3-2835</b>
<b>COLOR</b>	<b>RED</b>
<b>QTY</b>	<b>1,500pcs</b>
<b>CTN NO.</b>	<b>5</b>
<b>MADE IN KOREA</b>	

## 13.APPROVAL

**IP68**

**FC**



**CE**

