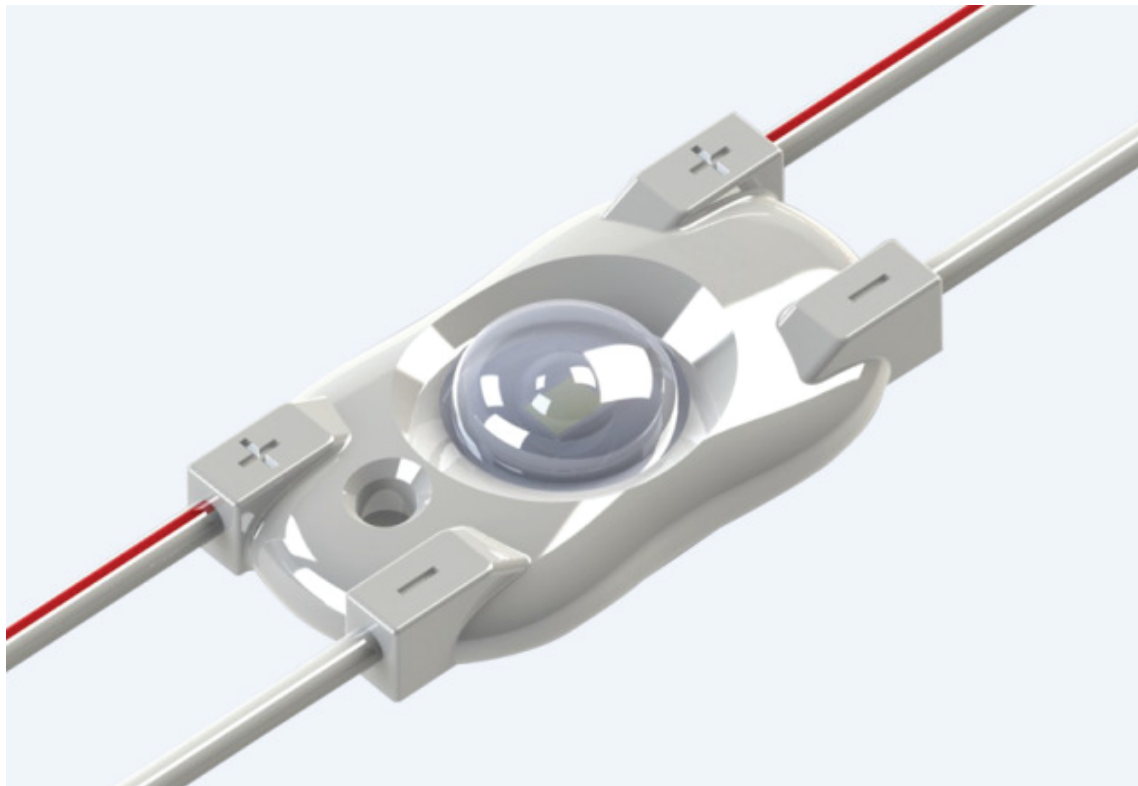
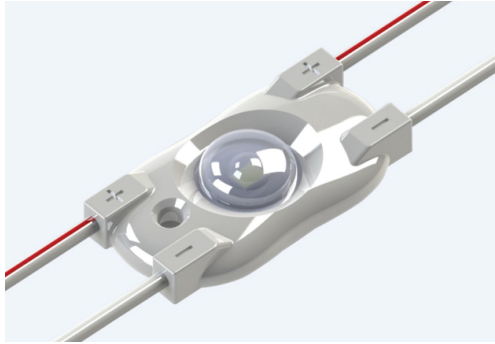


# Best for 5 cm+ Thickness Small Light Box & Channel Letter 2 Years Warranty



UTC375W



UTC375W

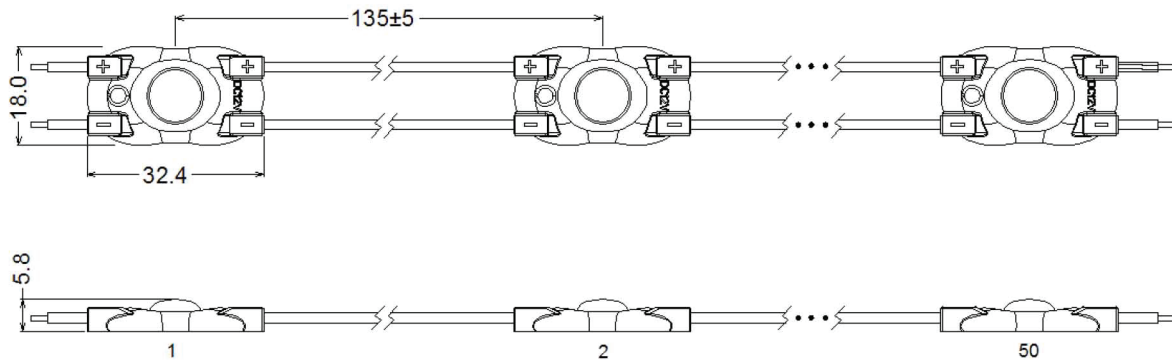
◆ Features

- ◇ Constant Current Technology, 50 pcs per series
- ◇ The exposed Aluminum plate for heat dissipation
- ◇ Injection molding process, water proof: IP 67
- ◇ High efficiency chip, high brightness and reliability
- ◇ Energy saving, environment friendly
- ◇ Long life span
- ◇ Suitable for channel letters and light boxes back lighting etc.

◆ Applications

- ◇ Channel letter lighting
- ◇ Commercial standing lighting
- ◇ Letter background lighting
- ◇ Light box lighting
- ◇ Logo lighting
- ◇ Line/shape lighting

◆ Dimensions



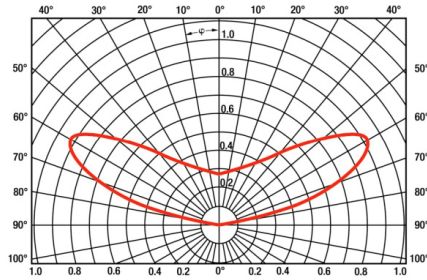
Unit:mm

Note: The cable between modules can be customized within a certain range.

◆ Technical parameters

Part No.	Color	Wave Length or CCT	Operating Voltage	Rated Power per module	Beam Angle	Lm Flux per module	IP Rate
UTW375U-PLUS	White	6000-8000K	DC12V	0.5 W	160°	45 lm	IP67
UTC375U-PLUS	Cool White	8000-16000K	DC12V	0.5 W	160°	42 lm	IP67
UTM375U-PLUS	Warm White	2700-3200K	DC12V	0.5W	160°	42 lm	IP67

### ◆ Distribution curve



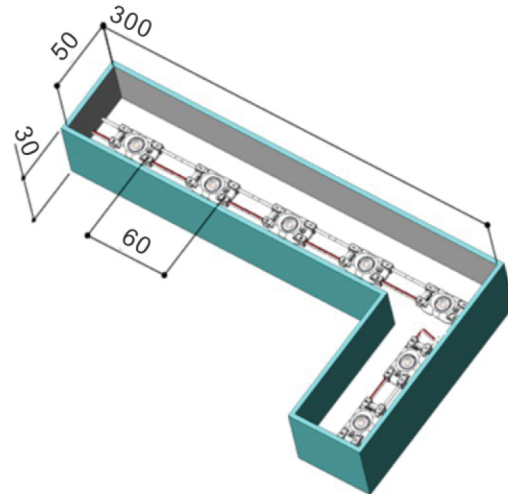
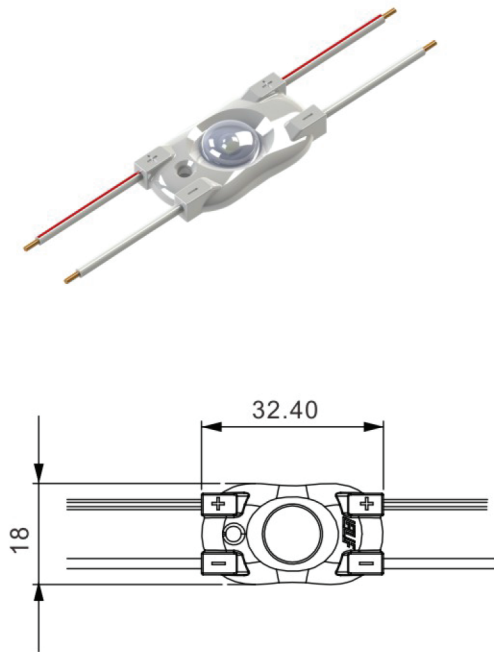
### ◆ Application Guide



### ◆ Attentions

1. Maximum number of modules per chain is 50pcs from power supplier to single end.
2. The parameters may change as the type of material of lighting boxes or channel letters.
3. The LED module including its components can't be mechanical stressed.
4. Please ensure that the power supply is adequate power to operate the total load.
5. Only professionals can tear down, install or maintain LED modules.
6. All of box materials used for installation have to meet anti-flame rules and related so on.
7. Power supply should be short circuit and overloading protection, and total power should be less than rated power 80% of that power.
8. Working temperature: -25~55℃.

## Best for over 3cm depth Mini channel letter & acrylic letter back lighting



Units:mm

### Created for

- 3~8cm thickness mini size lightbox & channel letter.
- Super bright mini channel letter

### Typical application

- T3cm x L0.3m x W5.0cm single side letter, 5pcs modules, surface brightness around 1592nits(5000lux).

### What's special

- 160° bat-wing optics design
- High efficiency LED
- Excellent color uniformity, 3-step MacAdam ellipse each bin
- 50 modules per chain

### Main parameters

- 0.3W per module
- 27lm per module
- 160° PC lens
- L70B50 > 35,000hrs