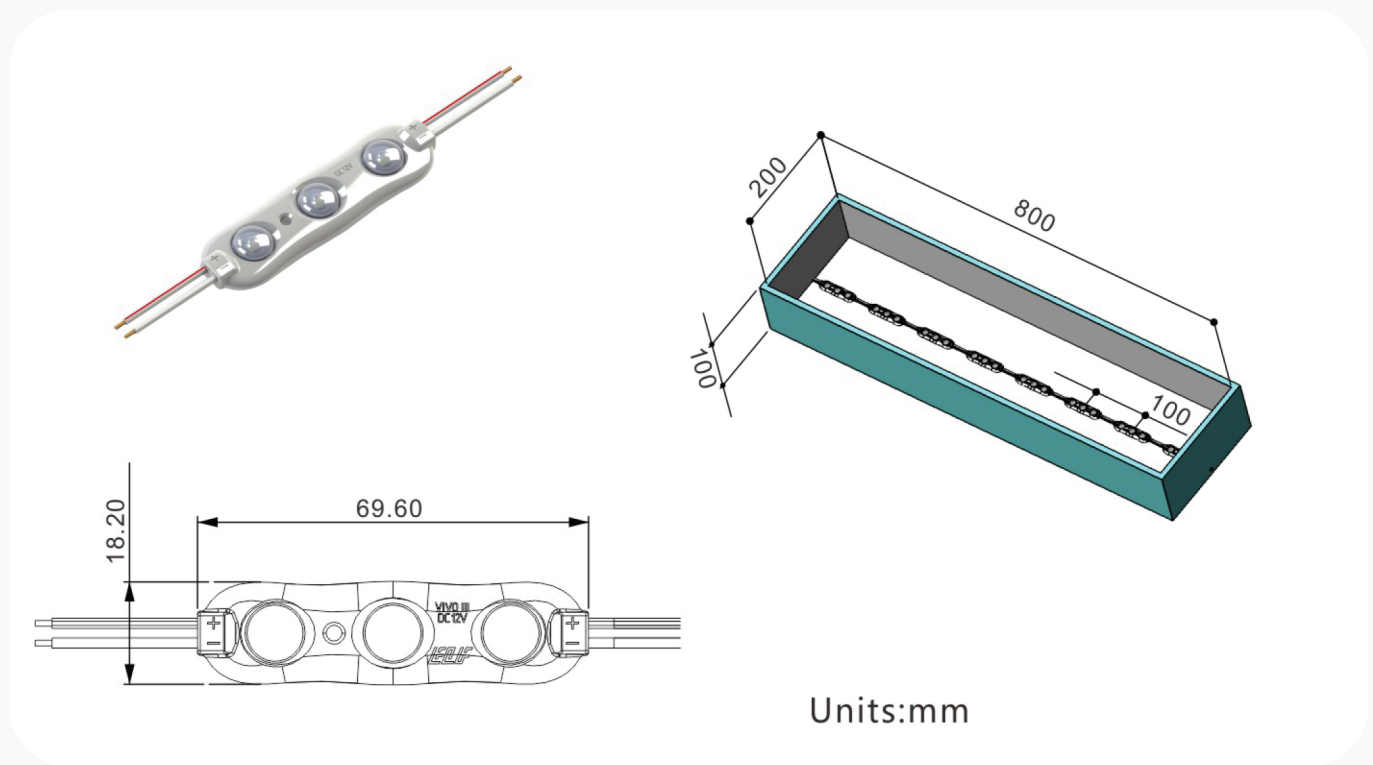


# Best for 12 cm+ Thickness Large Size Light Box & Channel Letter 2 Years Warranty



UTC377W

## Best for over 8cm depth medium size light box & channel letter back lighting



### Created for

- 8~15cm thickness medium size lightbox & channel letter.
- Super bright medium channel letter

### Typical application

- T10cm x L0.8m x W20cm single side letter, 8pcs modules, surface brightness around 828nits(2600lux).

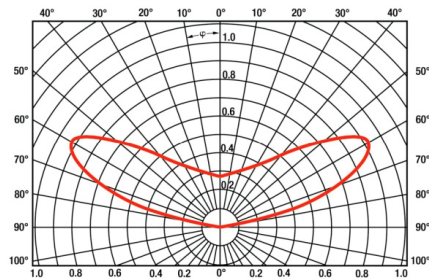
### What's special

- 160° bat-wing optics design
- High efficiency LED
- Excellent color uniformity, 3-step MacAdam ellipse each bin

### Main parameters

- 0.9W per module
- 80lm per module
- 160° PC lens
- L70B50 > 35,000hrs

### ◆ Distribution curve



### ◆ Application Guide



### ◆ Attentions

1. Maximum number of modules per chain is 30pcs from power supplier to single end.
2. The parameters may change as the type of material of lighting boxes or channel letters.
3. The LED module including its components can't be mechanical stressed.
4. Please ensure that the power supply is adequate power to operate the total load.
5. Only professionals can tear down, install or maintain LED modules.
6. All of box materials used for installation have to meet anti-flame rules and related so on.
7. Power supply should be short circuit and overloading protection, and total power should be less than rated power 80% of that power.
8. Working temperature: -25~55°C.



UTC377W

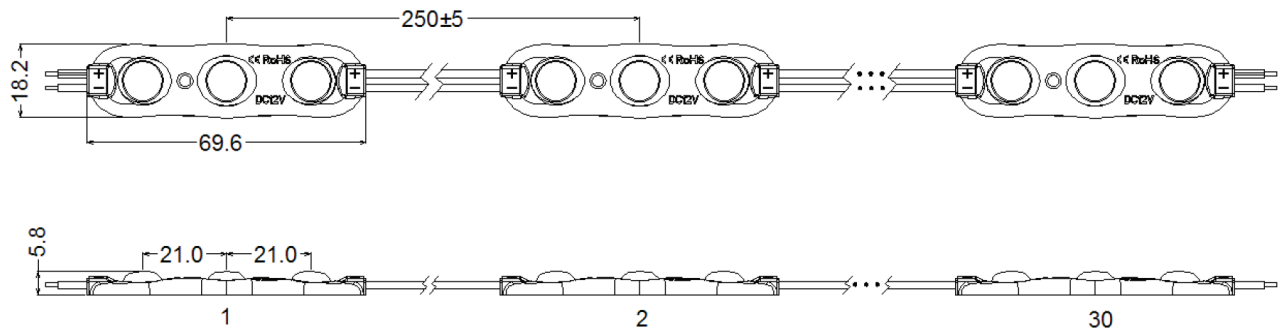
◆ Features

- ✧ Constant Current Technology, 30pcs per series
- ✧ The exposed Aluminum plate for heat dissipation
- ✧ Injection molding process, water proof: IP 67
- ✧ High efficiency chip, high brightness and reliability
- ✧ Energy saving, environment friendly
- ✧ Long life span
- ✧ Suitable for channel letters and light boxes back lighting etc.

◆ Applications

- ✧ Channel letter lighting
- ✧ Commercial standing lighting
- ✧ Letter background lighting
- ✧ Light box lighting
- ✧ Logo lighting
- ✧ Line/shape lighting

◆ Dimensions



Unit:mm

Note: The cable between modules can be customized within a certain range.

◆ Technical parameters

Part No.	Color	Wave Length or CCT	Operating Voltage	Rated Power per module	Beam Angle	Lm Flux per module	IP Rate
UTW377U-PUS	White	5500-7500K	DC12V	1.5 W	160°	135 lm	IP67
UTC377U-PLUS	Cool White	8000-16000K	DC12V	1.5 W	160°	126 lm	IP67
UTM377U-PLUS	Warm White	2700-3200K	DC12V	1.5 W	160°	126 lm	IP67



UTC377W

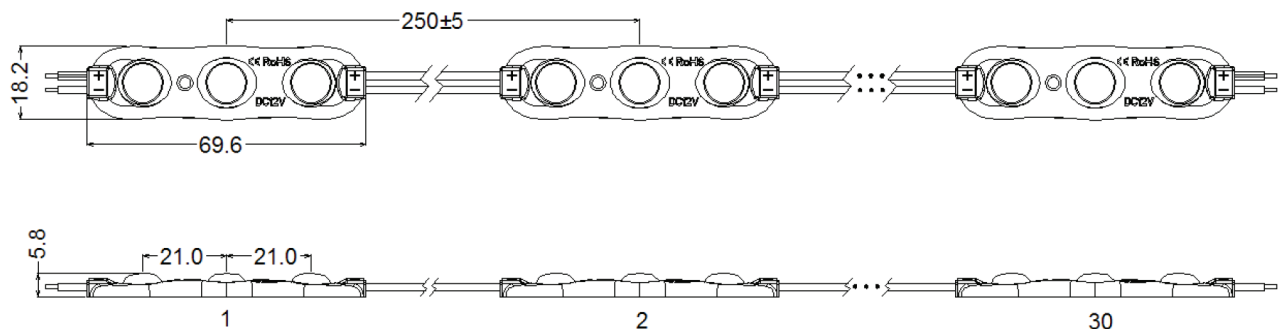
◆ Features

- ✧ Constant Current Technology, 30pcs per series
- ✧ The exposed Aluminum plate for heat dissipation
- ✧ Injection molding process, water proof: IP 67
- ✧ High efficiency chip, high brightness and reliability
- ✧ Energy saving, environment friendly
- ✧ Long life span
- ✧ Suitable for channel letters and light boxes back lighting etc.

◆ Applications

- ✧ Channel letter lighting
- ✧ Commercial standing lighting
- ✧ Letter background lighting
- ✧ Light box lighting
- ✧ Logo lighting
- ✧ Line/shape lighting

◆ Dimensions



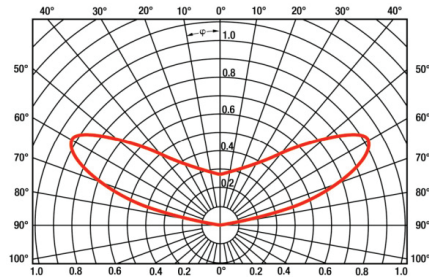
Unit:mm

Note: The cable between modules can be customized within a certain range.

◆ Technical parameters

Part No.	Color	Wave Length or CCT	Operating Voltage	Rated Power per module	Beam Angle	Lm Flux per module	IP Rate
UTW377U-PUS	White	5500-7500K	DC12V	1.5 W	160°	135 lm	IP67
UTC377U-PLUS	Cool White	8000-16000K	DC12V	1.5 W	160°	126 lm	IP67
UTM377U-PLUS	Warm White	2700-3200K	DC12V	1.5 W	160°	126 lm	IP67

### ◆ Distribution curve



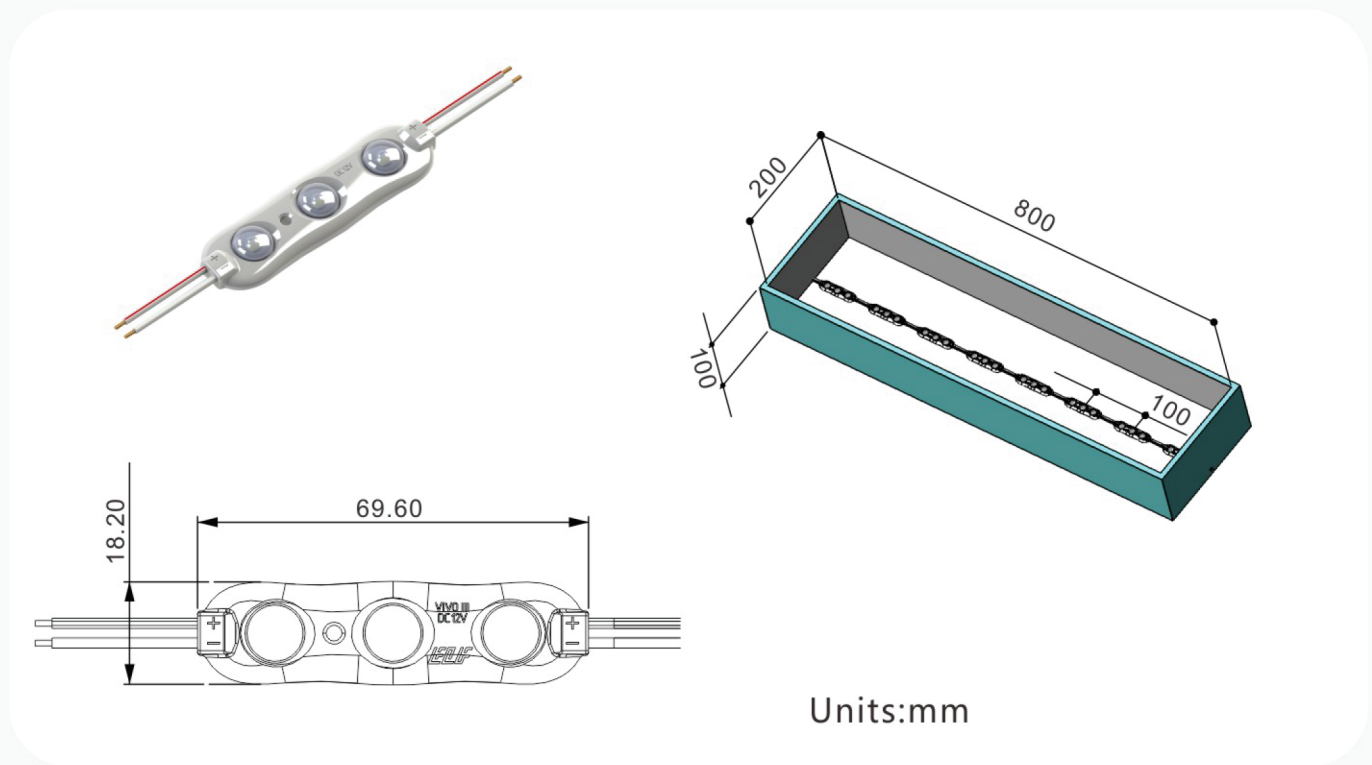
### ◆ Application Guide



### ◆ Attentions

1. Maximum number of modules per chain is 30pcs from power supplier to single end.
2. The parameters may change as the type of material of lighting boxes or channel letters.
3. The LED module including its components can't be mechanical stressed.
4. Please ensure that the power supply is adequate power to operate the total load.
5. Only professionals can tear down, install or maintain LED modules.
6. All of box materials used for installation have to meet anti-flame rules and related so on.
7. Power supply should be short circuit and overloading protection, and total power should be less than rated power 80% of that power.
8. Working temperature: -25~55°C.

## Best for over 8cm depth medium size light box & channel letter back lighting



### Created for

- 8~15cm thickness medium size lightbox & channel letter.
- Super bright medium channel letter

### Typical application

- T10cm x L0.8m x W20cm single side letter, 8pcs modules, surface brightness around 828nits(2600lux).

### What's special

- 160° bat-wing optics design
- High efficiency LED
- Excellent color uniformity, 3-step MacAdam ellipse each bin

### Main parameters

- 0.9W per module
- 80lm per module
- 160° PC lens
- L70B50 > 35,000hrs