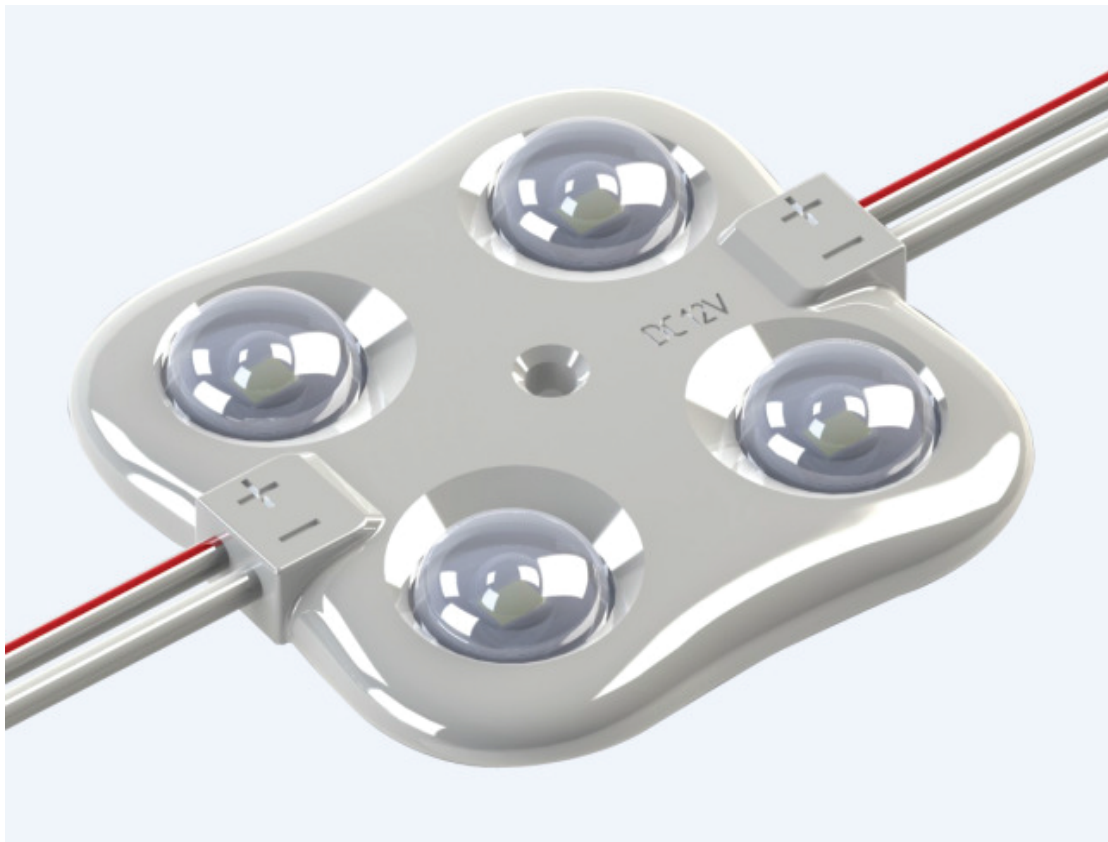
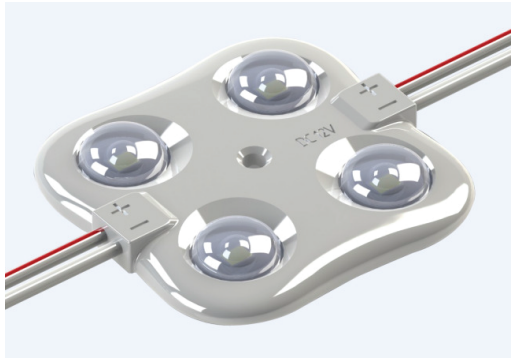


# Best for 18 cm+ Thickness Huge Size Light Box & Channel Letter 2 Years Warranty



UTC378W



UTC378W

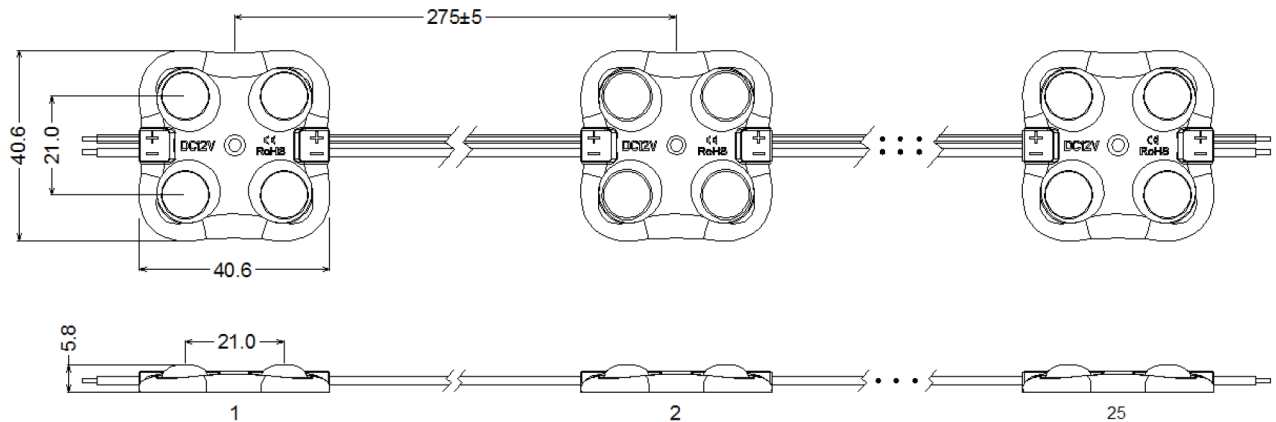
◆ Features

- ◇ Constant Current Technology, 25 pcs per series
- ◇ The exposed Aluminum plate for heat dissipation
- ◇ Injection molding process, Water proof: IP 67
- ◇ High efficiency chip, high brightness and reliability
- ◇ Energy saving, Environment friendly
- ◇ Long life span
- ◇ Suitable for channel letters and light boxes back lighting etc.

◆ Applications

- ◇ Channel letter lighting
- ◇ Commercial standing lighting
- ◇ Letter background lighting
- ◇ Light box lighting
- ◇ Logo lighting
- ◇ Line/shape lighting

◆ Dimensions



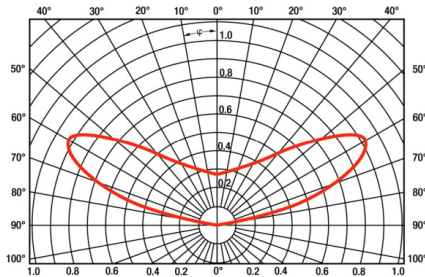
Unit:mm

Note: The cable between modules can be customized within a certain range.

◆ Technical parameters

Part No.	Color	Wave Length or CCT	Operating Voltage	Rated Power per module	Beam Angle	Lm Flux per module	IP Rate
UTW378U-P LUS	White	5500-7500K	DC12V	2W	160°	180 lm	IP67
UTC378 U-PLUS	Cool White	8000-16000K	DC12V	2W	160°	170 lm	IP67
UTM378	Warm White	2700-3200K	DC12V	2W	160°	170 lm	IP67

### ◆ Distribution curve



### ◆ Application Guide



### ◆ Attentions

1. Maximum number of modules per chain is 25pcs from power supplier to single end.
2. The parameters may change as the type of material of lighting boxes or channel letters.
3. The LED module including its components can't be mechanical stressed.
4. Please ensure that the power supply is adequate power to operate the total load.
5. Only professionals can tear down, install or maintain LED modules.
6. All of box materials used for installation have to meet anti-flame rules and related so on.
7. Power supply should be short circuit and overloading protection, and total power should be less than rated power 80% of that power.
8. Working temperature: -25~55°C.