

Datasheet

Product Name: High-power 2W LED module

Item No: YS-M68711-2W



Applications

Best for **different shapes** 7~15cm thickness double sides or 5~10cm thickness single side light box.

Features

1. High power SMD3030 LED
2. High light effective; With 50000 Hrs lifespan.
No light decay after working 1000 Hrs;
3. ABS injection with acrylic lens 38 degree, UV resist, fire-proof, nice and upscale.
4. Aluminum PCB good heat dissipation.
5. Constant current circuit ensure stable quality.
6. Certification: CE,RoHS
7. Emitting color available: warm white, white, cold white
8. Dimension: 40*30*13.5 mm
9. Built-in constant current circuit.
10. Waterproof IP65

Installation

1. **3M** adhesive tape at back is for an installation aid only, permanent adhesion is done with screws;
2. Single module as a unit can be cut accordingly.
3. The maximum quantity connection: 30pcs in one line.

Warranty

5 years or 13,000 hours, whichever comes first.

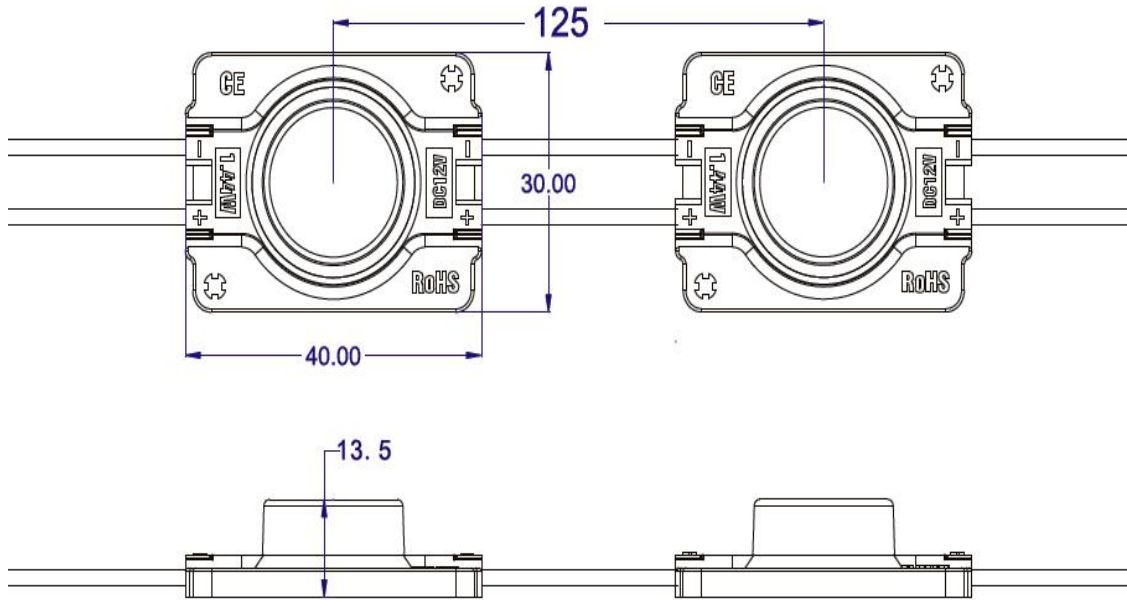
Technical Parameters:

Item No.	LED Color	Color Temperature	Beam Angle	Luminous Flux	Working Voltage	Power (W)
YS-M68711-2W	Pure White	6000-6500 °K	38°	180-200 Lm	12 V DC	2 Watts
	Neutral White	4000~4500 °K	38°	180-200 Lm	12 V DC	2 Watts
	Warm White	3000-3200 °K	38°	180-200 Lm	12 V DC	2 Watts
	Cold White	8000-8500 °K	38°	180-200 Lm	12 V DC	2 Watts

Others:

CRI	Standard package	Storage Temp	Working Temp	PCB	Shell	Net Weight
> 75	20 pcs/ string	- 25~+70 °C	- 20~+60 °C	Aluminum	ABS injection	11.2 g

Profile Drawings (mm):

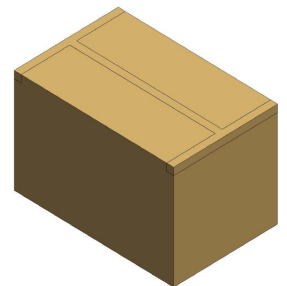
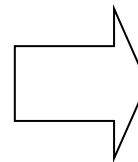
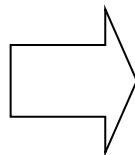


Package:

20 pcs/chain

100 pcs/bag

1500 pcs/carton



1. Carton Dimension: 52*30*35cm= 0.0546 CBM (1±10%)
2. 20 modules per chain, 100 modules per bag, 1500 modules per outer carton
3. Gross Weight (G.W): 17.1 KG (1±10%)
4. The actual packed quantity and weight subject to change without prior notice.